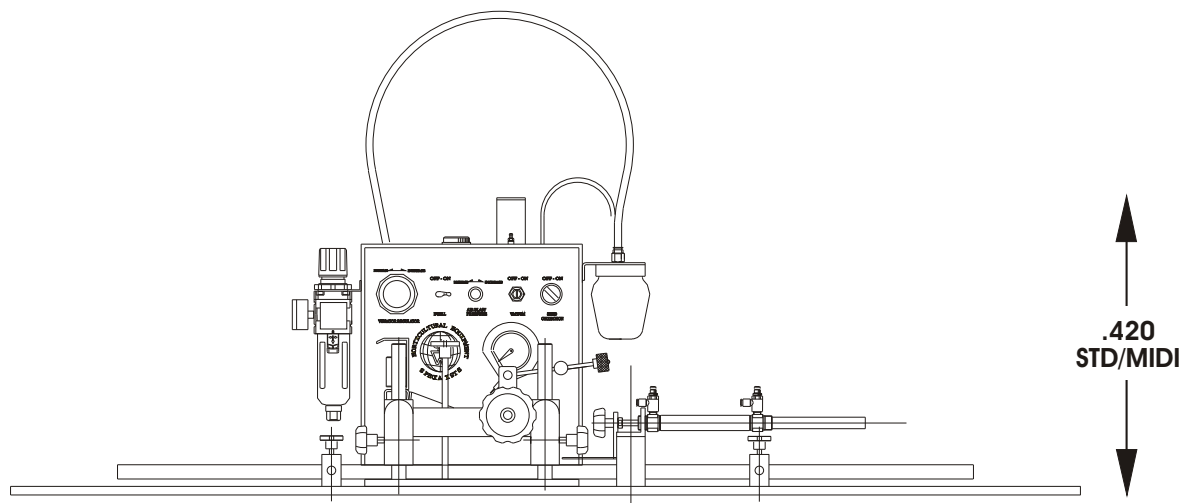
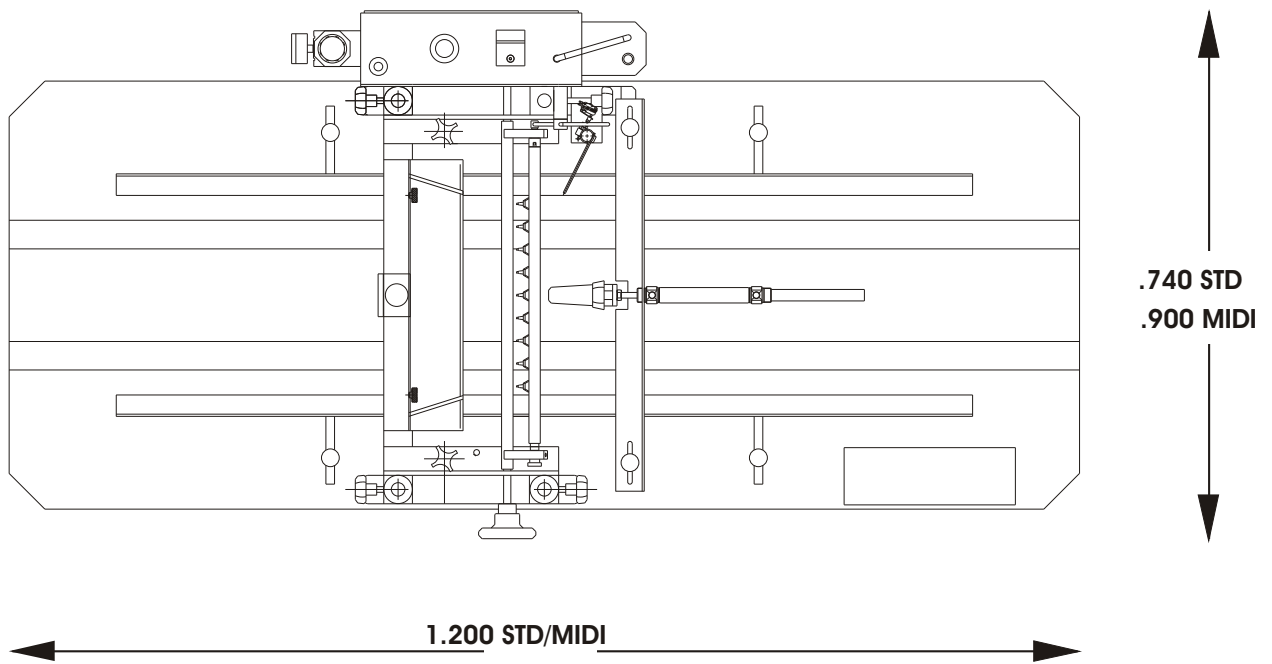


H35 Std/Midi Seed-Air-Matic	Specifications
Production Speed	1 Row/Sec
Length - Std/Midi	1.200 Metres
Width - Std	.740 Metres
Width - Midi	.900 Metres
Height - Std/Midi	.420 Metres
Air Pressure Reqd	80PSI / 550KPA
Air Volume Reqd	10 CFM(free air delivery)
Suggested Min. Compressor Size	15 CFM
Max. Length Between Cell Centres	70mm
Max. Tray Width Std	365mm
Max. Tray Width Midi	515mm
Max. Tray Depth Std/Midi	175mm



Please note all plans & specifications may change without further notice.