

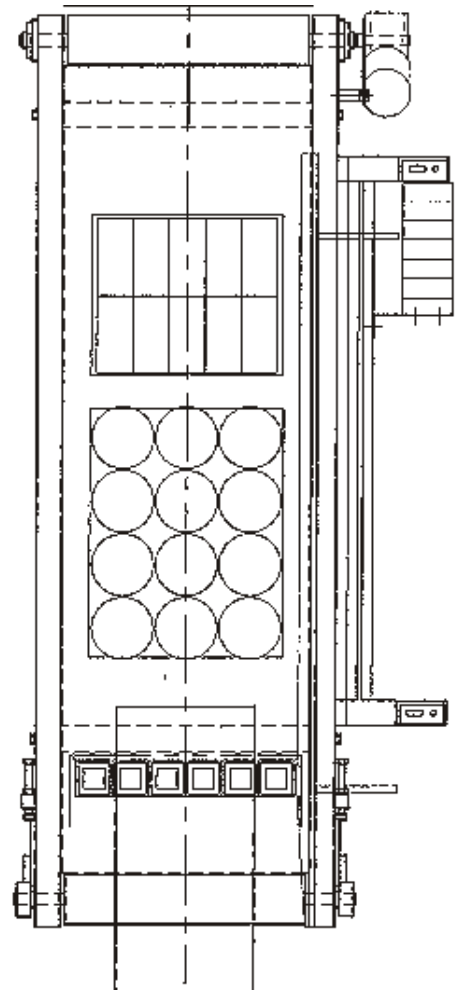
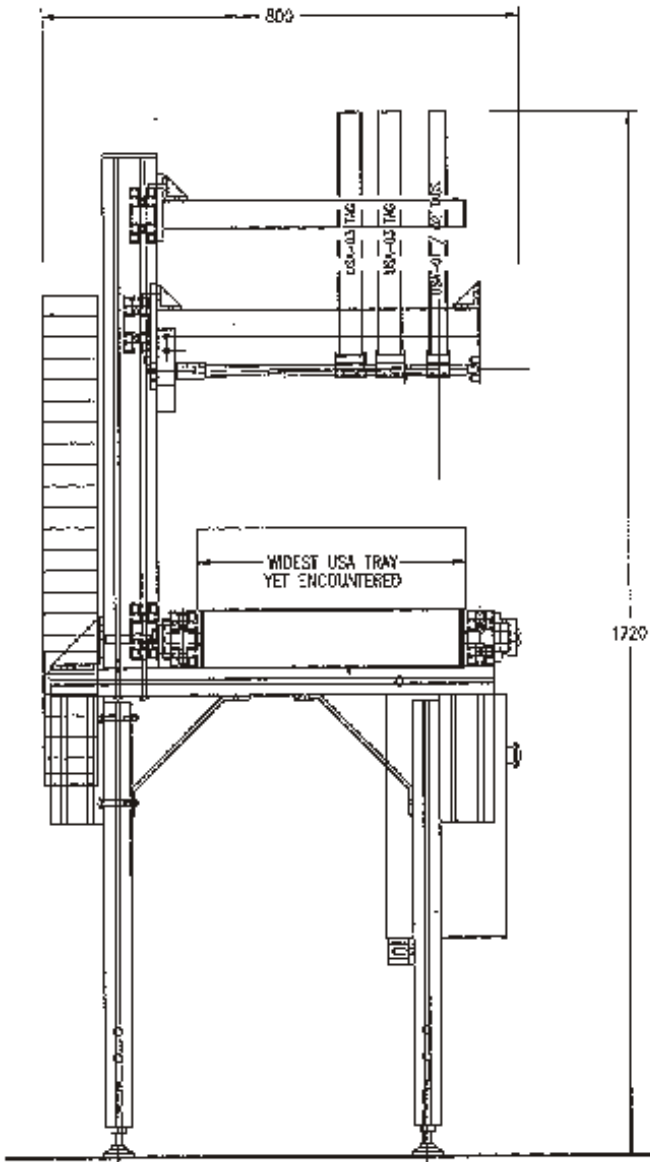
K2000 AutoTagger	Specifications
Capacity of Geared Motor	.15 kW (1/5 HP)
Power Supply Req'd	240V or 110V
Length	1.300 Metres (4'3")
Width	.800 Metres (2'8")
Height	1.700 Metres (5'8")
Air Pressure Req'd	80PSI / 550KPA
Air Volume Req'd	10 CFM*
Max. Tray Width	370mm/15"
Max. Tray Length	700mm/28"
Max. Pot Size	250mm/10"
No. Trays/Hour **	1200 Flat
No. Trays/Hour ***	865 Flat

K2000 AutoTagger constructed from lightweight, non - corrosive, polished aluminium.

* Free Air Delivery

** Based on 3 Tag rows per tray

*** Based on 6 Tag rows per tray



Please note all plans & specifications may change without further notice.